

RL1 (S375) Single Way Relay PCB Product Overview

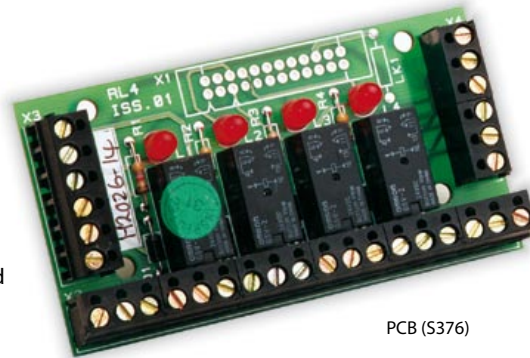
- This simple board contains a single 24V DC relay, which can be used for any extra low voltage switching applications.
- It has two changeover contacts, an LED indicator to show when the coil is energised and a polarising diode to prevent damage to the power source by reverse polarity connection.
- The contacts are suitable for switching a maximum of 30V DC and 2 Amps. Voltages or currents that exceed these values should not be connected under any circumstances.
- The current consumption of the unit when operated from a 24V supply is approximately 25mA.
- The PCB has four 4mm mounting holes, which will accept the self adhesive standoffs supplied. The use of self adhesive standoffs should be carefully considered however due to their tendency to become detached over a period of time and a more permanent fixing method is recommended.



RL1- Single Way Relay PCB (S375)

RL4 (S376) Four Way Relay PCB Product Overview

- This simple board contains four 24V DC relays, which can be used for any extra low voltage switching applications.
- Each relay has two changeover contacts, and an LED indicator to show when the coil is energised. The coils of the relays are commoned to the positive supply and the relays can be operated individually by switching a negative to the numbered coil inputs.
- The contacts are suitable for switching a maximum of 30V DC and 2 Amps. Voltages or currents that exceed these values should not be connected under any circumstances.
- The current consumption of the unit when operated from a 24V supply is approximately 25mA per relay.
- The PCB has four 4mm mounting holes, which will accept the self adhesive standoffs supplied. The use of self adhesive standoffs should be carefully considered however due to their tendency to become detached over a period of time and a more permanent fixing method is recommended.

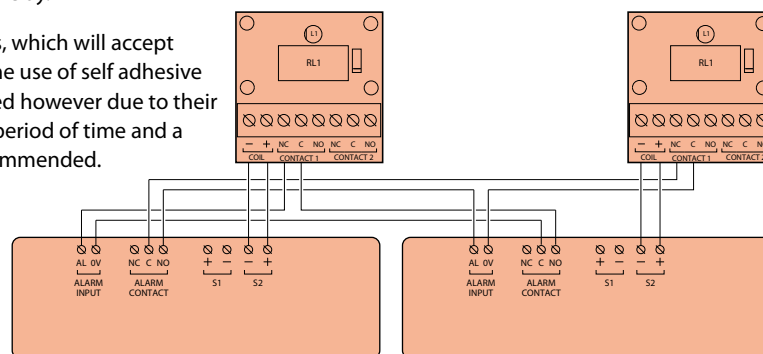


PCB (S376)

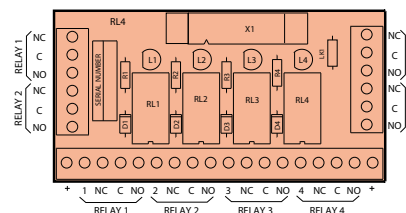
RL4- Four Way Relay

Features

- 24V DC operated
- LED indicator shows relay operated
- Two changeover contacts per relay
- Built in suppression diodes
- Spring leaf 2.5mm capacity terminals
- Small footprint
- 2 Amp 30V DC contact rating
- Low current consumption



Example sounder interface of two K3000S fire panels



The manufacturer reserves the right to amend specifications without prior notice